

LG Remote Temperature Sensor

(Only applied to Cassette and Duct Product)

Installation Manual

Models: PQRSTA0

IMPORTANT

- Please read this installation manual completely before installing the product.
- Installation work must be performed in accordance with the national wiring standards by authorized personnel only.
- Please retain this installation manual for future reference after reading it thoroughly.

Safety Precautions

Safety Precautions

- The installation requires expert skills, and it should be installed by the service center or other shops specialized in the installation and recognized by our company.
- For all the problems arising after installation by someone who has no relevant qualifications, LG will not provide free service.
- The following safety cautions are provided to prevent unexpected dangers or losses.

WARNING : If the user does not follow the mandatory items, it may result in serious injury or death.

CAUTION : If the user does not follow the mandatory items, it may cause personal injury or property damage.

- ! : Warning and Caution are to call the user's attention to the possible danger. Read and follow them carefully in order to prevent a safety accident.
- ⊘ : Warning and Caution are indicated in this guide and the product itself to help protect the users from danger.

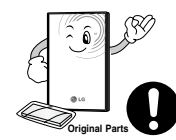
WARNING

Installation

Entrust installation of the product to the service center because improper installation may cause fire, an electric shock, explosion, and physical injury.



Use the original parts in order to prevent fire, an electric shock, explosion, and product breakdown.



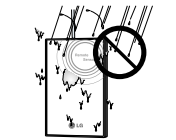
Keep combustible and/or inflammable materials away from the product in order to prevent fire or product breakdown.



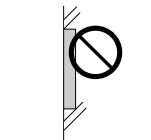
Do not disassemble, repair, or modify the product at your discretion in order to prevent fire or an electric shock.



Do not install the product in wet and humid areas in order to prevent product breakdown.

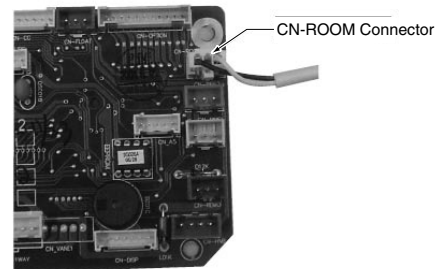


Do not expose the product to the sun in order to prevent product breakdown.

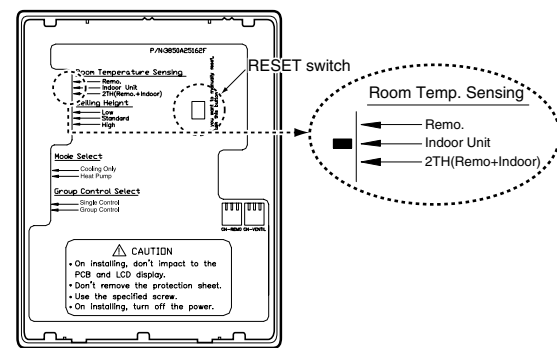


Installation Method

3 Insert the connector of the connection wire into the space for the connector in place of the room temperature sensor.



4 In case that a wire remote control is installed, select the slide switch of the temperature detection on the back of the wire remote control to the Indoor Unit.



Installation Method

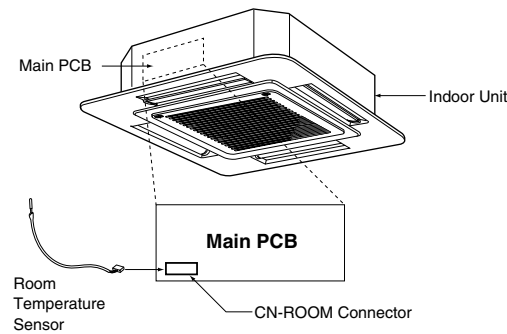
Installation Method

How to use

1 After deciding where the remote temperature sensor is installed, decide the location and height of the fixing screws. (Interval between the screws : 60mm)



2 After removing the panel of the indoor unit, remove the room temperature sensor in CN-ROOM of its main PCB.



Safety Precautions

In-use

Do not place a heating device near the product. It may cause fire.



Do not drop water on to the product. It may cause an electric shock or product breakdown.



Do not place a heavy thing on the product. It may cause product breakdown.



If the product was submerged under water, ask the service center for instruction. It may cause fire or an electric shock unless you do that.



CAUTION

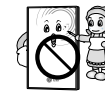
Make sure children or senior citizens use the product under proper observation in order to prevent safety accident.



Do not subject the product to shock. It will cause product breakdown.



Do not pick the product with a sharp tool. It may cause product breakdown with the damage to its parts.



In-use

Do not clean the product with strong cleanser such as solvent. Use soft clothes in order to prevent fire or product deformation.

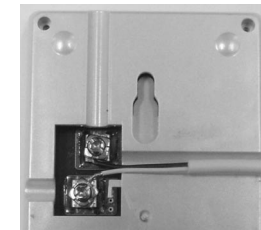


Do not touch the product with a wet hand. Do not pull the lead cable. It may cause product breakdown or an electric shock.



Installation Method

How to connect the remote temperature sensor and the connection wire

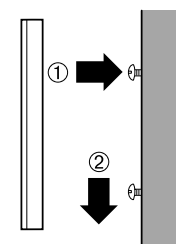


The Connection wire does not matter if you change the color of the wire because of non-polar

How to install the remote temperature sensor on the wall

Integrate the remote temperature sensor with the screws as the order of arrows.

Fixing the Remote Sensor



CAUTION

1. Choose the place where the average temperature can be measured for the place the indoor unit operates.
2. Avoid direct sunlight.
3. Choose the place where the cooling/heating devices do not affect the remote sensor.
4. Choose the place where the outlet of the cooling fan do not affect the remote sensor.
5. Choose the place where the remote sensor isn't affected when door is open.

Part Description

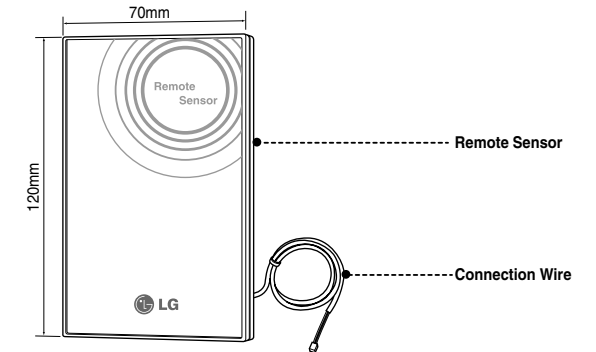
Part Description

Remote temperature sensor can be installed any place a user wants to detect the temperature.

CAUTION

Remote temperature sensor only applied to Cassette and Duct Products.

Remote Sensor



Parts

