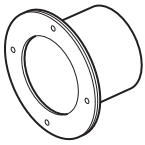
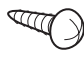
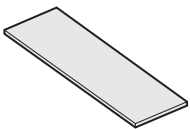


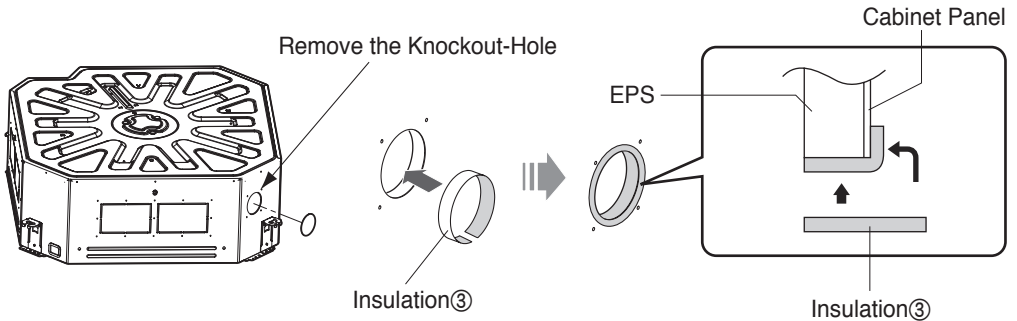
# Ventilation Kit(PTVK430)

P/No.MFL41933304

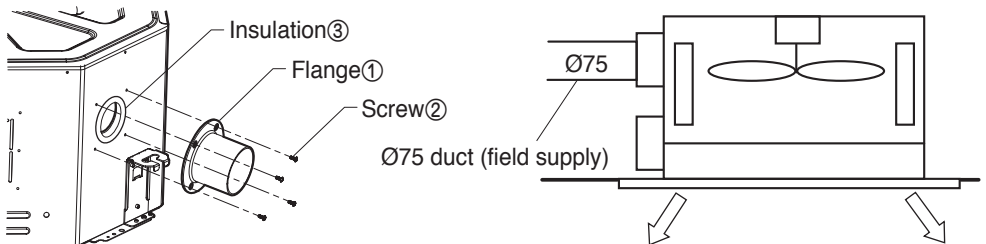
## Contents

PTVK430			
Item	Flange	Screw	Insulation
Q'ty	1	4	1
Figure	① 	②  M4 x 10	③ 

## Installation Procedure



1. Remove the Knockout-Hole of the indoor cabinet with the cutter such as a nipper.
2. Adhere the insulation③ to EPS and cabinet panel together.



3. Attach the Flange(①) to the cabinet and fix it with the Screws (②).
4. Connect duct to the Flange(①), after connection, Flange(①) must be insulated.