



Internal Use Only

<http://biz.lgservice.com>

# Multi V Air Conditioner

## SVC MANUAL(Exploded View)

**MODEL : ARNU48GBRZ4  
ARNU76GB8Z4  
ARNU96GB8Z4**

### **CAUTION**

Before Servicing the unit, read the safety precautions in General SVC manual.  
Only for authorized service personnel.

# 1. Specification

Type		Fresh Air Intake Unit			
Model	Unit	ARNU48GBRZ4	ARNU76GB8Z4	ARNU96GB8Z4	
Cooling Capacity	kW	14.1	22.4	28	
	kcal/h	12,100	19,300	24,100	
	Btu/h	48,100	76,400	95,900	
Heating Capacity	kW	13.5	21.4	26.7	
	kcal/h	11,620	18,410	23,000	
	Btu/h	46,115	73,080	91,360	
Casing		Galvanized Steel Plate	Galvanized Steel Plate	Galvanized Steel Plate	
Dimensions(WxDxH)	Body	mm	1230 x 590 x 380	1562 x 688 x 460	
		inch	48.4 x 23.2 x 15	61.5 x 27.1 x 18.1	
Coil	Rows x Columns x FPI	3 x 13 x 19	3 x 20 x 19	3 x 20 x 19	
	Face Area	m <sup>2</sup>	0.38	0.59	
Fan	Type	Sirocco Fan	Sirocco Fan	Sirocco Fan	
	Motor Output x Number	W	195 x 1	375 x 1	
	Running Current	A	0.78	1.36	
	Air Flow Rate(H/M/L) (High Mode-factory set)	CMM	18.8/14.7/14.7	23.7/13.2/13.2	35.7/23.7/23.7
		cfm	664/519/519	837/446/446	1261/837/837
	External Static Pressure	mmAq(Pa)	18	22	22
	Drive		Direct	Direct	Direct
Motor type		BLDC	BLDC	BLDC	
Temperature Control		Microprocessor, Thermostat for cooling and heating	Microprocessor, Thermostat for cooling and heating	Microprocessor, Thermostat for cooling and heating	
Sound Absorbing Thermal Insulation Material		Foamed polystyrene	Foamed polystyrene	Foamed polystyrene	
Air Filter		Long Life Filter	Long Life Filter	Long Life Filter	
Safety Device		Fuse	Fuse	Fuse	
Pipe Connections	Liquid Side	mm(inch)	Ø9.52(3/8)	Ø9.52(3/8)	
	Gas Side	mm(inch)	Ø15.88(5/8)	Ø19.05(3/4)	
	Drain Pipe(Internal Dia.)	mm	25	25	
Net Weight		kg(lbs)	45(99)	73(161)	
Noise Level(Sound Press, 1.5m, H/M/L)		dB(A)	44/42/42	49/47/47	
Power Supply		Ø, V, Hz	1, 220 ~ 240, 50 1, 220, 60	1, 220 ~ 240, 50 1, 220, 60	
Refrigerant Control			EEV	EEV	
Power cable		mm <sup>2</sup>	CV1.5 x 3C	CV1.5 x 3C	
Transmission cable		mm <sup>2</sup>	CVV-SB 1.0~1.5 x 2C	CVV-SB 1.0~1.5 x 2C	

## Notes:-

- Capacities are based on the following conditions:
  - Cooling
    - Outdoor temp. 33°C[91.4°F]DB/ 28°C[82.4°F]WB
    - Interconnecting Piping Length 7.5m
    - Level Difference of Zero
  - Heating
    - Outdoor temp. 0°C[32°F]DB/ -2.9°C[26.78°F]WB
    - Interconnecting Piping Length 7.5m
    - Level Difference of Zero
- Capacities are net capacities
- Due to our policy of innovation some specifications may be changed without prior notification
- To be added for more available Models
- Indoor Unit Connection

## Conversion Formula

kcal/h= kW x 860  
 Btu/h = kW x 3412  
 cfm = m<sup>3</sup>/min x 35.3  
 l/s = CMM x 1000/60

No	Connection Condition	Combination
1	Fresh Air Intake Units only are connected with outdoor units	1) The total capacity of Fresh Air Intake Unit should be 50~100% of outdoor unit. 2) The max quantity of Fresh Air Intake unit is 2 Units.
2	Mixture connection with general Indoor unit and Fresh Intake Unit	1) The total capacity of indoor units (standard Indoor Unit + Fresh Air Intake Unit) should be 50~100% of outdoor unit. 2) The total capacity of Fresh Air Intake Unit should be less than 30% of the total capacity of indoor units.

- EEV : Electronic Expansion Valve
- Noise Level is Standard Mode  
(for actual High Mode(factory set) condition, Noise Level may exceed the standard level by 1.5dBA)

## 2. List of Functions

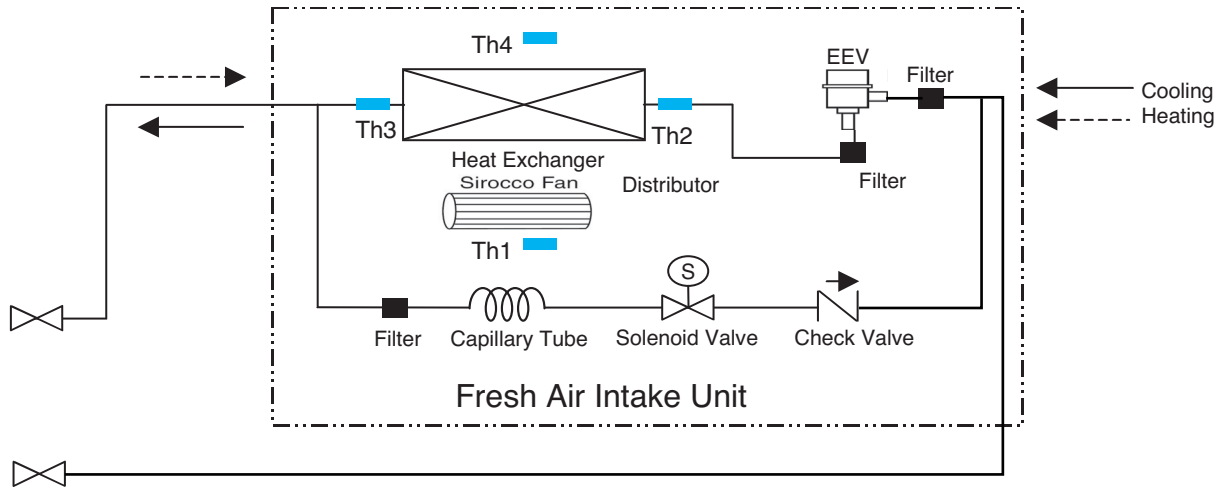
Category	Function	ARNU48GBRZ4, ARNU76GB8Z4, ARNU96GB8Z4
Air flow	Air supply outlet	1
	Airflow direction control(left & right)	-
	Airflow direction control(up & down)	-
	Auto swing(left & right)	-
	Auto swing(up & down)	-
	Airflow steps(fan/cool/heat)	3/3/3
	Chaos swing	-
	Chaos wind(auto wind)	-
	Jet cool(Power wind)	-
	Swirl wind	-
Air purifying	Deodorizing filter	X
	Plasma air purifier	X
	Prefilter(washable / anti-fungus)	O
Installation	Drain pump	O
	E.S.P. control	O
	Electric heater(operation)	X
	High ceiling operation	-
Reliability	Hot start	O
	Self diagnosis	O
	Soft dry operation	O
Convenience	Auto changeover	O(Heat recovery only)
	Auto cleaning	X
	Auto operation(artificial intelligence)	O(only heat pump or cooling only)
	Auto restart operation	O
	Child lock	O
	Forced operation	-
	Group control	O
	Sleep mode	X
	Timer(on/off)	O
	Timer(weekly)	O
Two thermistor control	X	
Individual control	Standard wired remote controller	Accessory
	Wide Character wired remote controller	Accessory
	Picto wired remote controller	
	Deluxe wired remote controller	Accessory
	Simple wired remote controller	Accessory
	Wired remote controller(for hotel use)	Accessory
	Wireless remote controller(simple)	X
	Wireless LCD remote control	Accessory
Special function kit	Zone control	Accessory
	CTIE	-
	Electro thermostat	-

O : Applied      X : Not applied      - : No relation

Option : Model name & price are different according to options, and assembled in factory with main unit.

Accessory : Installed at field, ordered and purchased separately by the corresponding model name, supplied with separate package.

### 3. Piping Diagrams



Refrigerant pipe connection port diameter

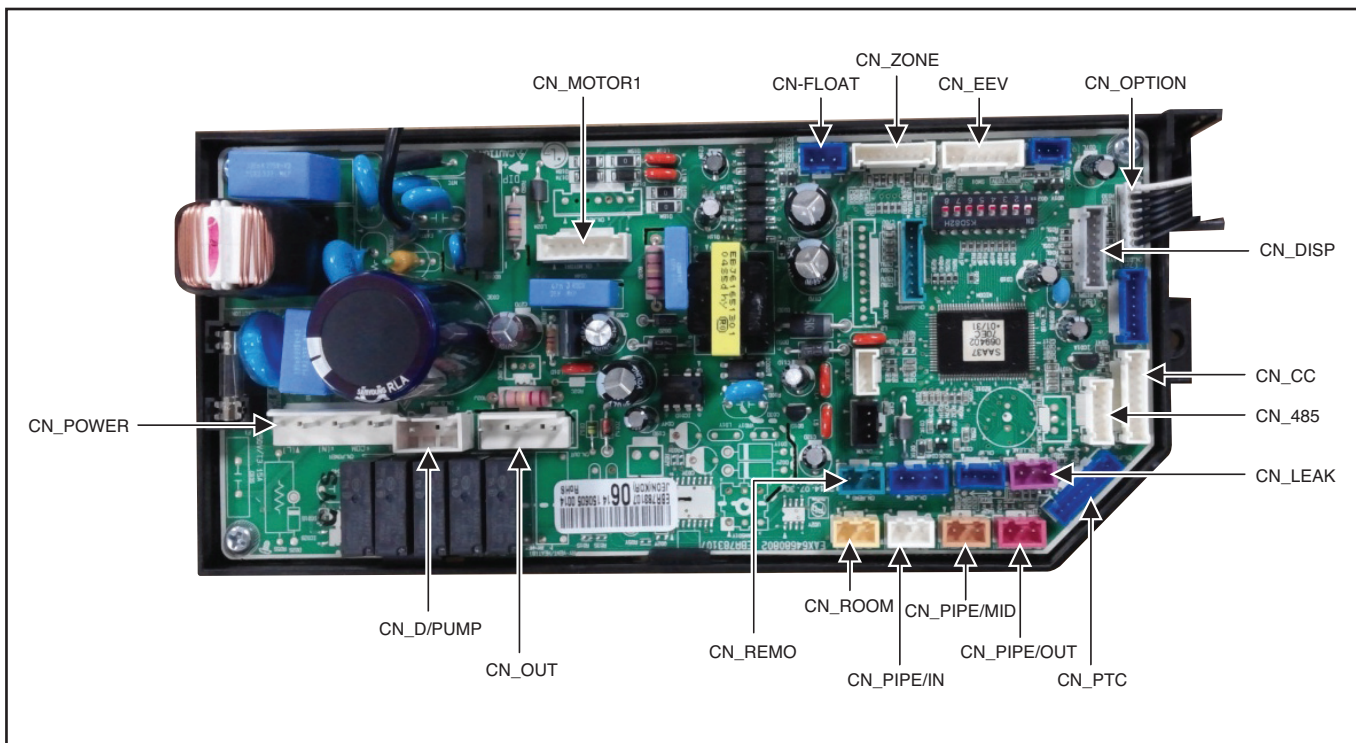
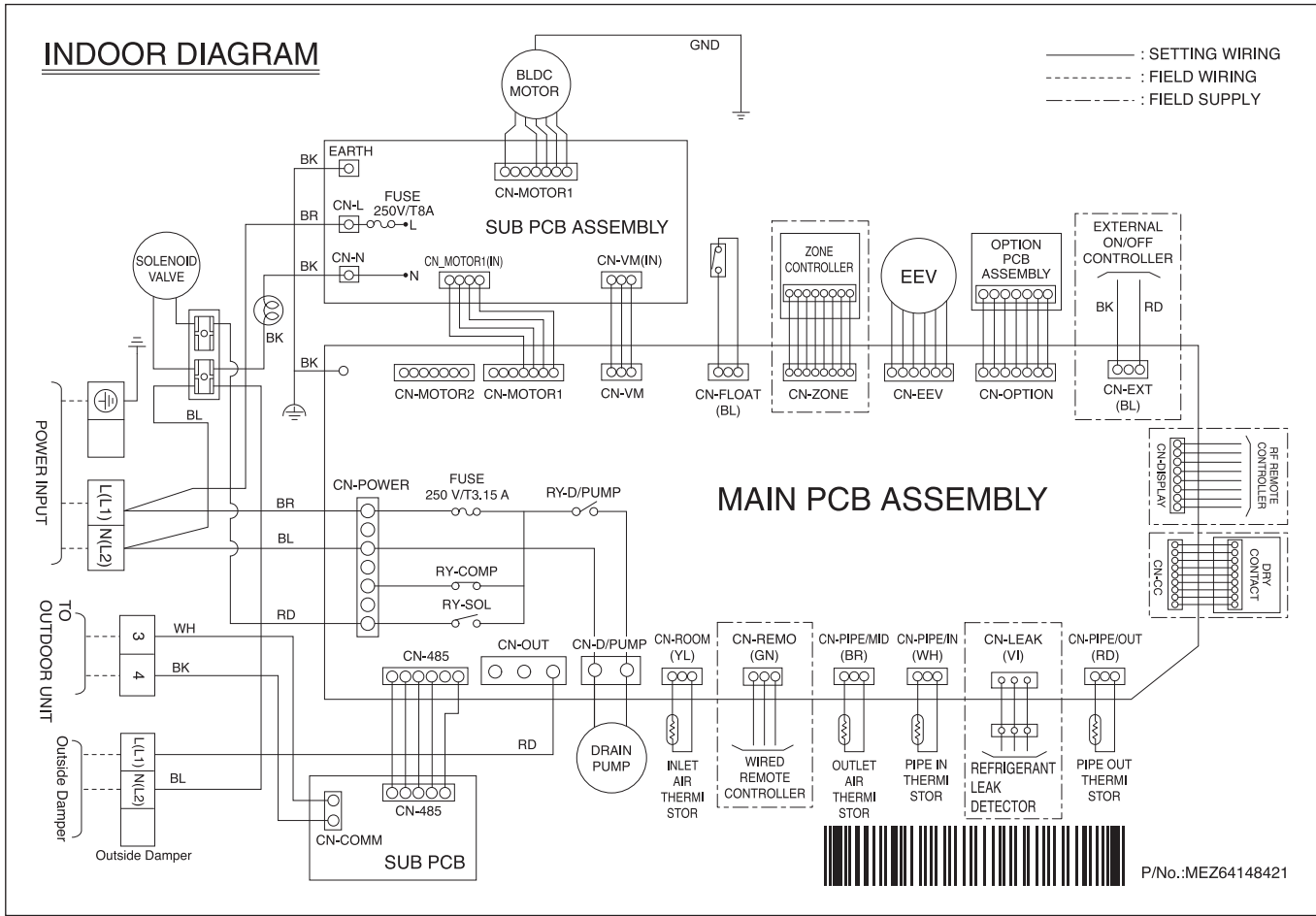
[unit: mm(inch)]

CHASSIS	MODEL	GAS	LIQUID
BR	ARNU48GBRZ4	Ø15.88(5/8)	Ø9.52(3/8)
B8	ARNU76GB8Z4	Ø19.05(6/8)	Ø9.52(3/8)
B8	ARNU96GB8Z4	Ø22.2(7/8)	Ø9.52(3/8)

LOC.	Description	PCB Connector (Color)
Th1	Inlet Air Thermistor	CN-ROOM (Yellow)
Th2	Pipe In Thermistor	CN-PIPE_IN (White)
Th3	Pipe Out Thermistor	CN-PIPE_OUT (Red)
Th4	Outlet Air Thermistor	CN-PIPE_MID(Brown)



# B8 Chassis



## 5. DIP Switch Setting

### 1. Indoor Unit

	Function	Description	Setting Off	Setting On	Default
SW1	Communication	N/A (Default)	-	-	Off
SW2	Cycle	N/A (Default)	-	-	Off
SW3	Group Control	Selection of Master or Slave	Master	Slave	Off
SW4	Dry Contact Mode	Selection of Dry Contact Mode	Wired/Wireless remote controller Selection of Manual or Auto operation Mode	Auto	Off
SW5	Installation	Fan continuous operation	Continuous operation Removal	-	Off
SW6	Heater linkage	N/A	-	-	Off
SW7	Ventilator linkage	Selection of Ventilator linkage	Linkage Removal	Working	Off
	Vane selection (Console)	Selection of up/down side Vane	Up side + Down side Vane	Up side Vane Only	
	Region selection	Selection tropical region	General model	Tropical model	
SW8	Etc.	Spare	-	-	Off

### **⚠ CAUTION**

For Multi V Models, DIP switch 1, 2, 6, 8 must be set OFF.

### 2. Outdoor Unit

In case that the products meet specific conditions, "Auto addressing" function can start automatically with the improved speed by turning the DIP switch #3 of the outdoor unit and resetting the power.

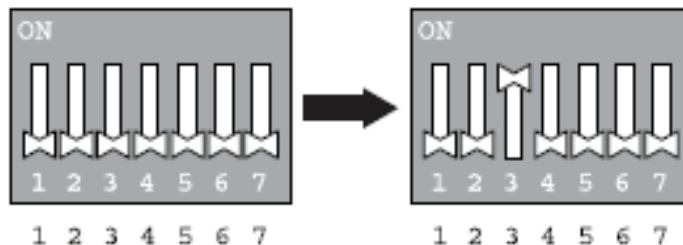
\* Specific conditions:

- All names of the indoor units are ARNU\*\*\*\*4.
- The serial number of Multi V super IV (outdoor units) is after October 2013.

DIP switch 7 segment



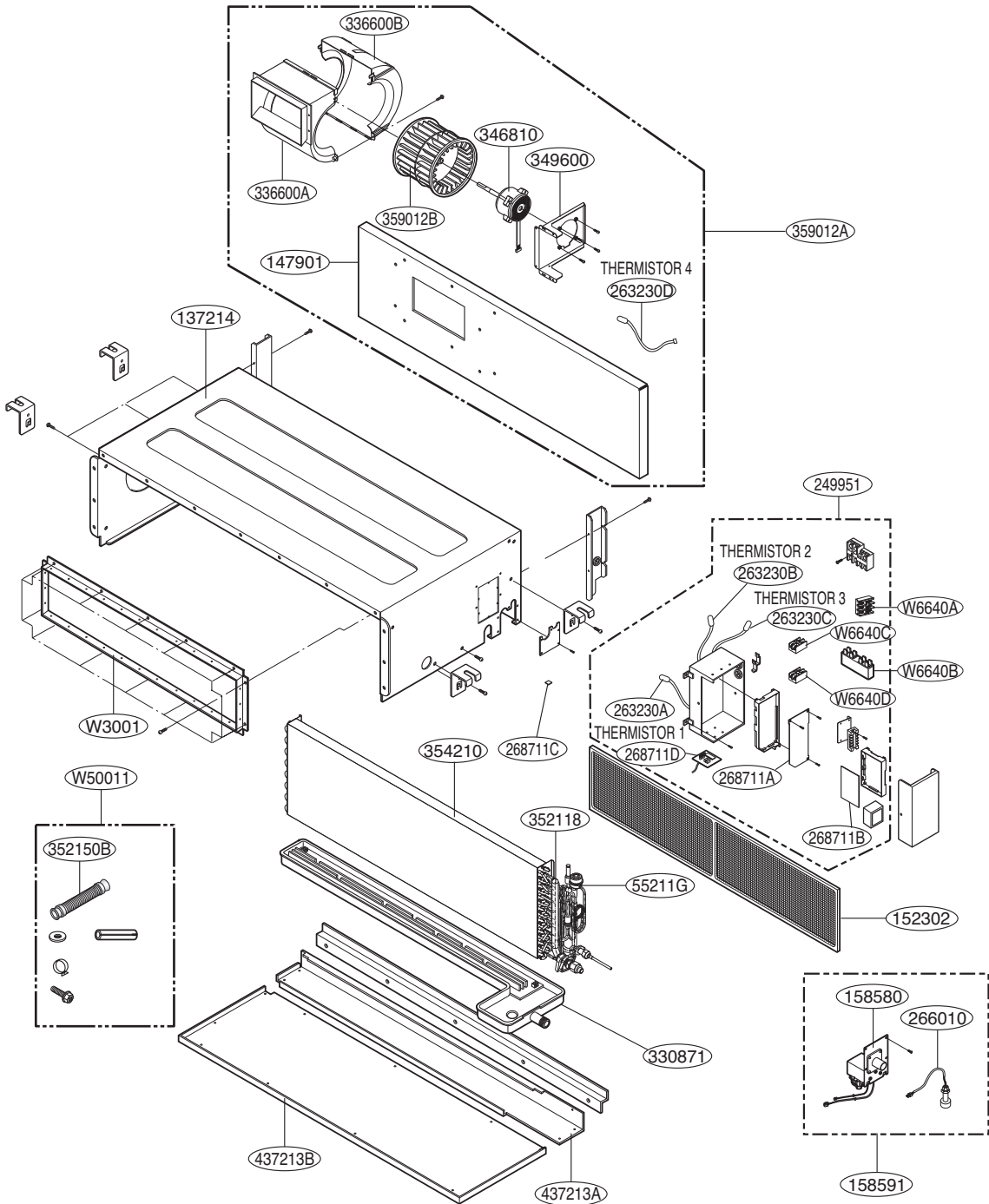
Outdoor Unit PCB



Outdoor Unit DIP Switch

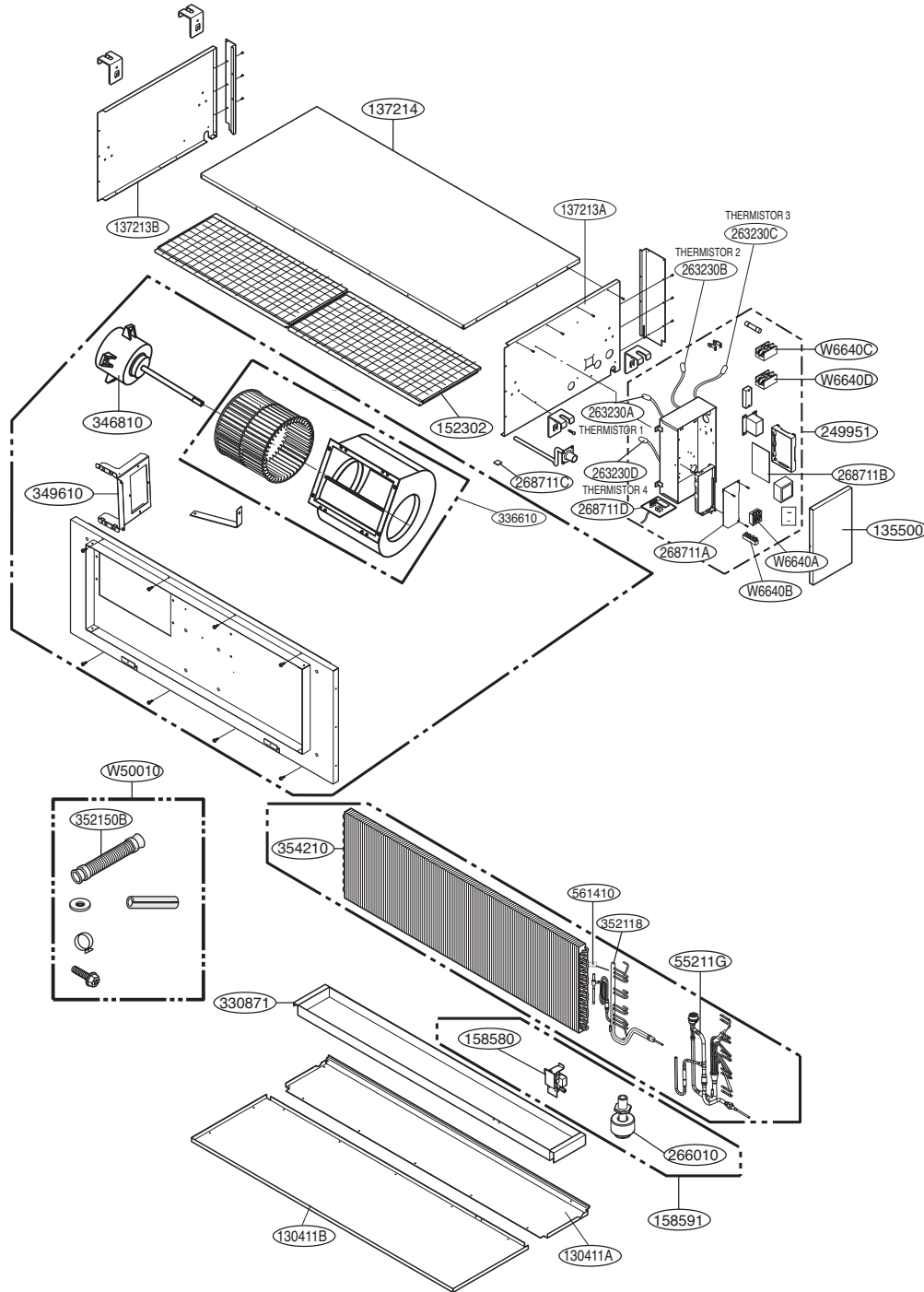
# 6. Exploded View

BR



LOC.	SCV NO	Description	remark(color)
thermistor 1	263230A	Inlet air thermistor	HOUSING COLOR : BROWN
thermistor 2	263230B	Pipe in thermistor	HOUSING COLOR : WHITE
thermistor 3	263230C	Pipe out thermistor	HOUSING COLOR : RED
thermistor 4	263230D	Outlet thermistor	HOUSING COLOR : YELLOW
	268711A	PCB for main	210mm X 100mm
	268711B	PCB for motor	140mm X 100mm
	268711C	PCB for option	25mm X 25mm
	268711D	PCB for communication	65mm X 45mm





LOC.	SCV NO	Description	remark(color)
thermistor 1	263230A	Inlet air thermistor	HOUSING COLOR : BROWN
thermistor 2	263230B	Pipe in thermistor	HOUSING COLOR : WHITE
thermistor 3	263230C	Pipe out thermistor	HOUSING COLOR : RED
thermistor 4	263230D	Outlet thermistor	HOUSING COLOR : YELLOW
	268711A	PCB for main	210mm X 100mm
	268711B	PCB for motor	140mm X 100mm
	268711C	PCB for option	25mm X 25mm
	268711D	PCB for communication	65mm X 45mm

Note) \* Please ensure GCSC since the replacement parts may be changed depending upon the buyer's request.  
 Please check the correct parts in View RPL(Replacement Part List) on GCSC.  
 (GCSC Website <http://biz.Lgservice.com>.)



P/NO : MFL42947638

July, 2015