



Internal Use Only

<http://biz.lgservice.com>

Multi V Air Conditioner

SVC MANUAL(Exploded View)

**MODEL : ARNU09GTL*4
ARNU12GTL*4
ARNU18GTL*4
ARNU24GTL*4**

CAUTION

Before Servicing the unit, read the safety precautions in General SVC manual.
Only for authorized service personnel.

1. Specification

* Model Name
A:Basic, C:Plasma

Type			2Way Ceiling Cassette	
Model	Unit	ARNU09GTL*4	ARNU12GTL*4	
Cooling Capacity	kW	2.8	3.6	
	kcal/h	2,400	3,100	
	Btu/h	9,600	12,300	
Heating Capacity	kW	3.2	4.0	
	kcal/h	2,800	3,400	
	Btu/h	10,900	13,600	
Casing		Galvanized Steel Plate	Galvanized Steel Plate	
Dimensions (WxDxH)	Body	mm	830x550x225	
		inch	32-11/16 x 21-21/32 x 8-27/32	
	Front Panel	mm	1,050x640x28.5	
		inch	41-11/32 x 25-3/16 x 1-3/32	
Coil	Rows x Columns x FPI	2x11x20	2x11x20	
	Face Area	m ² (ft ²)	0.13(1.4)	
Fan	Type	Cross Flow Fan	Cross Flow Fan	
	Motor Output x Number	W	20x2	
	Running Current	A	0.18x2	
	Air Flow Rate(H/M/L)	CMM	9 / 8 / 7	10 / 9 / 8
		cfm	318 / 283 / 247	353 / 318 / 283
	Drive		Direct	Direct
Motor type		BLDC	BLDC	
Temperature Control		Microprocessor, Thermostat for cooling and heating	Microprocessor, Thermostat for cooling and heating	
Sound Absorbing Thermal Insulation Material		Foamed polystyrene	Foamed polystyrene	
Safety Device		Fuse	Fuse	
Pipe Connections	Liquid Side	mm(inch)	Ø6.35(1/4)	
	Gas Side	mm(inch)	Ø12.7(1/2)	
	Drain Pipe(Internal Dia.)	mm(inch)	25.0(1)	
Net Weight	Body	kg(lbs)	20.6(45.4)	
Noise Level(Sound Press, 1.5m, H/M/L)		dB(A)	36 / 34 / 32	
Power Supply		Ø, V, Hz	1,220-240,50	
Refrigerant Control		EEV	EEV	
Power cable		CV 1.5 x 3C**	CV 1.5 x 3C**	
Transmission cable		CVV-SB 1.0 ~ 1.5 x 2C	CVV-SB 1.0 ~ 1.5 x 2C	
Panel Color		Morning fog	Morning fog	
Panel Name(Acc'y)		PT-HL*	PT-HL*	

** : Wiring cable size must comply with the applicable local and national codes. And "Electric characteristics" chapter should be considered for electrical work and design. Especially the power cable and circuit breaker should be selected in accordance with that

Notes:-

1. Capacities are based on the following conditions:

- Cooling
 - Indoor temp. 27°C[80.6°F]DB/ 19°C[66.2°F]WB
 - Outdoor temp. 35°C[95°F]DB/ 24°C[75.2°F]WB
 - Interconnecting Piping Length 7.5m(24.6ft)
 - Level Difference of Zero
- Heating
 - Indoor temp. 20°C[68°F]DB/ 15°C[59°F]WB
 - Outdoor temp. 7°C[44.6°F]DB/ 6°C[42.8°F]WB
 - Interconnecting Piping Length 7.5m(24.6ft)
 - Level Difference of Zero

Conversion Formula

kcal/h= kW x 860
Btu/h = kW x 3412
cfm = m³/min x 35.3
l/s = CMM x 1000/60

2. Capacities are Net Capacities

3. Due to our policy of innovation some specifications may be changed without prior notification

4. To be added for more available Models

5. EEV : Electronic Expansion Valve

* Model Name
A:Basic, C:Plasma

Type			2Way Ceiling Cassette	
Model		Unit	ARNU18GTL*4	ARNU24GTL*4
Cooling Capacity		kW	5.6	7.1
		kcal/h	4,800	6,100
		Btu/h	19,100	24,200
Heating Capacity		kW	6.3	8.0
		kcal/h	5,400	6,900
		Btu/h	21,500	27,300
Casing			Galvanized Steel Plate	Galvanized Steel Plate
Dimensions (WxDxH)	Body	mm	830x550x225	830x550x225
		inch	32-11/16 x 21-21/32 x 8-27/32	32-11/16 x 21-21/32 x 8-27/32
	Front Panel	mm	1,050x640x28.5	1,050x640x28.5
		inch	41-11/32 x 25-3/16 x 1-3/32	41-11/32 x 25-3/16 x 1-3/32
Coil	Rows x Columns x FPI		2x11x20	2x11x20
	Face Area	m ² (ft ²)	0.13(1.4)	0.13(1.4)
Fan	Type		Cross Flow Fan	Cross Flow Fan
	Motor Output x Number	W	20x2	20x2
	Running Current	A	0.18x2	0.18x2
	Air Flow Rate(H/M/L)	CMM	13/12/10	17/15/13
		cfm	459/424/353	601/530/459
	Drive		Direct	Direct
Motor type		BLDC	BLDC	
Temperature Control			Microprocessor, Thermostat for cooling and heating	Microprocessor, Thermostat for cooling and heating
Sound Absorbing Thermal Insulation Material			Foamed polystyrene	Foamed polystyrene
Safety Device			Fuse	Fuse
Pipe Connections	Liquid Side	mm(inch)	Ø6.35(1/4)	Ø9.52(3/8)
	Gas Side	mm(inch)	Ø12.7(1/2)	Ø15.88(5/8)
	Drain Pipe(Internal Dia.)	mm(inch)	25.0(1)	25.0(1)
Net Weight	Body	kg(lbs)	20.6(45.4)	20.6(45.4)
Noise Level(Sound Press, 1.5m, H/M/L)		dB(A)	40/35/30	42/37/32
Power Supply		Ø, V, Hz	1,220-240,50	1,220-240,50
Refrigerant Control			EEV	EEV
Power cable			CV 1.5 x 3C**	CV 1.5 x 3C**
Transmission cable			CVV-SB 1.0 ~ 1.5 x 2C	CVV-SB 1.0 ~ 1.5 x 2C
Panel Color			Morning fog	Morning fog
Panel Name(Acc'y)			PT-HL*	PT-HL*

** : Wiring cable size must comply with the applicable local and national codes. And "Electric characteristics" chapter should be considered for electrical work and design. Especially the power cable and circuit breaker should be selected in accordance with that

Notes:-

1. Capacities are based on the following conditions:

- Cooling
 - Indoor temp. 27°C[80.6°F]DB/ 19°C[66.2°F]WB
 - Outdoor temp. 35°C[95°F]DB/ 24°C[75.2°F]WB
 - Interconnecting Piping Length 7.5m(24.6ft)
 - Level Difference of Zero
- Heating
 - Indoor temp. 20°C[68°F]DB/ 15°C[59°F]WB
 - Outdoor temp. 7°C[44.6°F]DB/ 6°C[42.8°F]WB
 - Interconnecting Piping Length 7.5m(24.6ft)
 - Level Difference of Zero

Conversion Formula
kcal/h= kW x 860
Btu/h = kW x 3412
cfm = m ³ /min x 35.3
l/s = CMM x 1000/60

2. Capacities are Net Capacities

3. Due to our policy of innovation some specifications may be changed without prior notification

4. To be added for more available Models

5. EEV : Electronic Expansion Valve

2. List of Functions

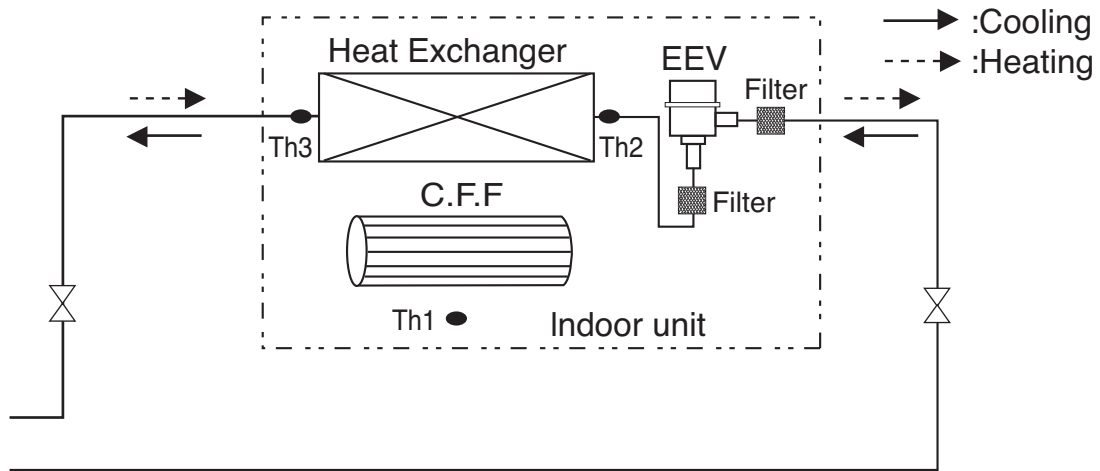
Category	Function	ARNU09GTL*4 ARNU12GTL*4 ARNU18GTL*4 ARNU24GTL*4
Air flow	Air supply outlet	2
	Airflow direction control(left & right)	-
	Airflow direction control(up & down)	auto
	Auto swing(left & right)	-
	Auto swing(up & down)	O
	Airflow steps(fan/cool/heat)	4/5/4
	Chaos swing	X
	Chaos wind(auto wind)	O
	Jet cool(Power wind)	O
	Swirl wind	O
Air purifying	Deodorizing filter	X
	Plasma air purifier	Option
	Prefilter(washable / anti-fungus)	O
Installation	Drain pump	O
	E.S.P. control	O
	Electric heater(operation)	X
	High ceiling operation	O
Reliability	Hot start	O
	Self diagnosis	O
	Soft dry operation	O
Convenience	Auto changeover	O(only heat recovery)
	Auto cleaning	X
	Auto operation(artificial intelligence)	O(only heat pump or cooling only)
	Auto restart operation	O
	Child lock	O
	Forced operation	O
	Group control	O
	Sleep mode	O
	Timer(on/off)	O
	Timer(weekly)	O
Two thermistor control	O	
Individual control	Standard wired remote controller	Accessory
	Wide Character wired remote controller	Accessory
	Picto wired remote controller	Accessory
	Deluxe wired remote controller	Accessory
	Simple wired remote controller	Accessory
	Wired remote controller(for hotel use)	Accessory
	Wireless remote controller(simple)	X
	Wireless LCD remote control	Accessory
Special function kit	Zone control	-
	CTIE	-
	Electro thermostat	-

O : Applied X : Not applied - : No relation

Option : Model name & price are different according to options, and assembled in factory with main unit.

Accessory : Installed at field, ordered and purchased separately by the corresponding model name, supplied with separate package.

3. Piping Diagrams



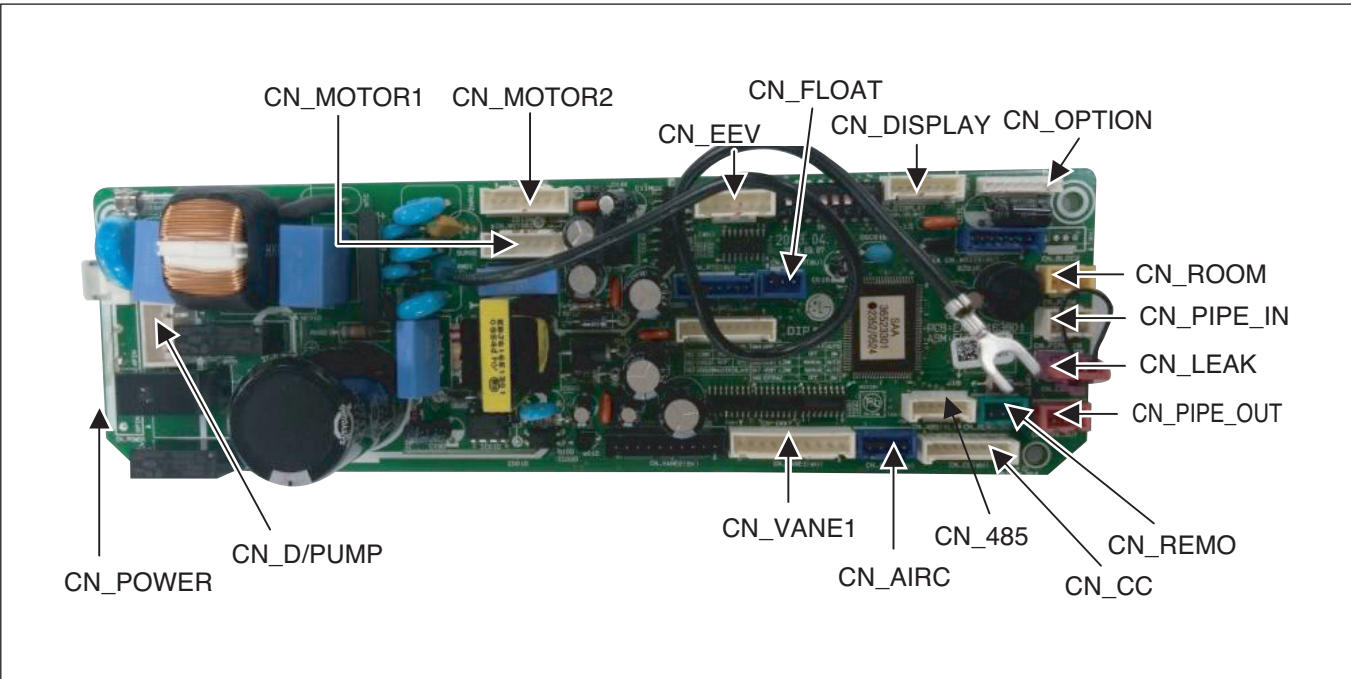
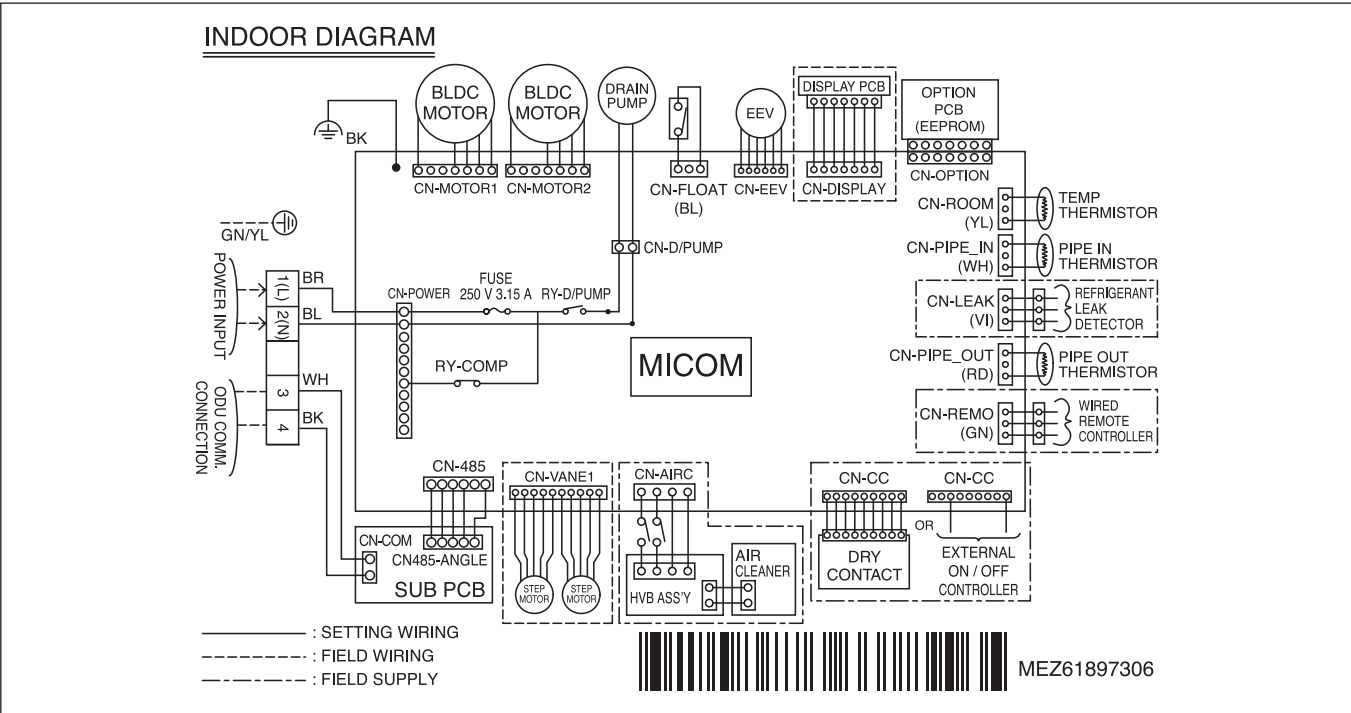
Refrigerant pipe connection port diameter

[unit: mm(inch)]

Model	Gas	Liquid
ARNU09GTL*4	Ø12.7(1/2)	Ø6.33(1/4)
ARNU12GTL*4		
ARNU18GTL*4		
ARNU24GTL*4	Ø15.88(5/8)	Ø9.52(3/8)

LOC.	Description	PCB Connector (Color)
Th1	Thermistor for room air temperature	CN-ROOM (Yellow)
Th2	Thermistor for pipe in temperature	CN-PIPE_IN (White)
Th3	Thermistor for pipe out temperature	CN-PIPE_OUT (Red)

4. Wiring Diagrams



5. DIP Switch Setting

1. Indoor Unit

	Function	Description	Setting Off	Setting On	Default
SW1	Communication	N/A (Default)	-	-	Off
SW2	Cycle	N/A (Default)	-	-	Off
SW3	Group Control	Selection of Master or Slave	Master	Slave	Off
SW4	Dry Contact Mode	Selection of Dry Contact Mode	Wired/Wireless remote controller Selection of Manual or Auto operation Mode	Auto	Off
SW5	Installation	Fan continuous operation	Continuous operation Removal	-	Off
SW6	Heater linkage	N/A	-	-	Off
SW7	Ventilator linkage	Selection of Ventilator linkage	Linkage Removal	Working	Off
	Vane selection (Console)	Selection of up/down side Vane	Up side + Down side Vane	Up side Vane Only	
	Region selection	Selection tropical region	General model	Tropical model	
SW8	Etc.	Spare	-	-	Off

⚠ CAUTION

For Multi V Models, DIP switch 1, 2, 6, 8 must be set OFF.

2. Outdoor Unit

In case that the products meet specific conditions, "Auto addressing" function can start automatically with the improved speed by turning the DIP switch #3 of the outdoor unit and resetting the power.

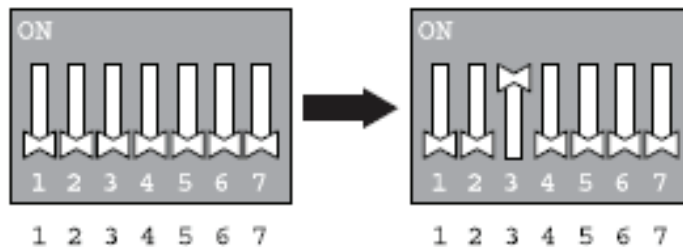
* Specific conditions:

- All names of the indoor units are ARNU****4.
- The serial number of Multi V super IV (outdoor units) is after October 2013.

DIP switch 7 segment



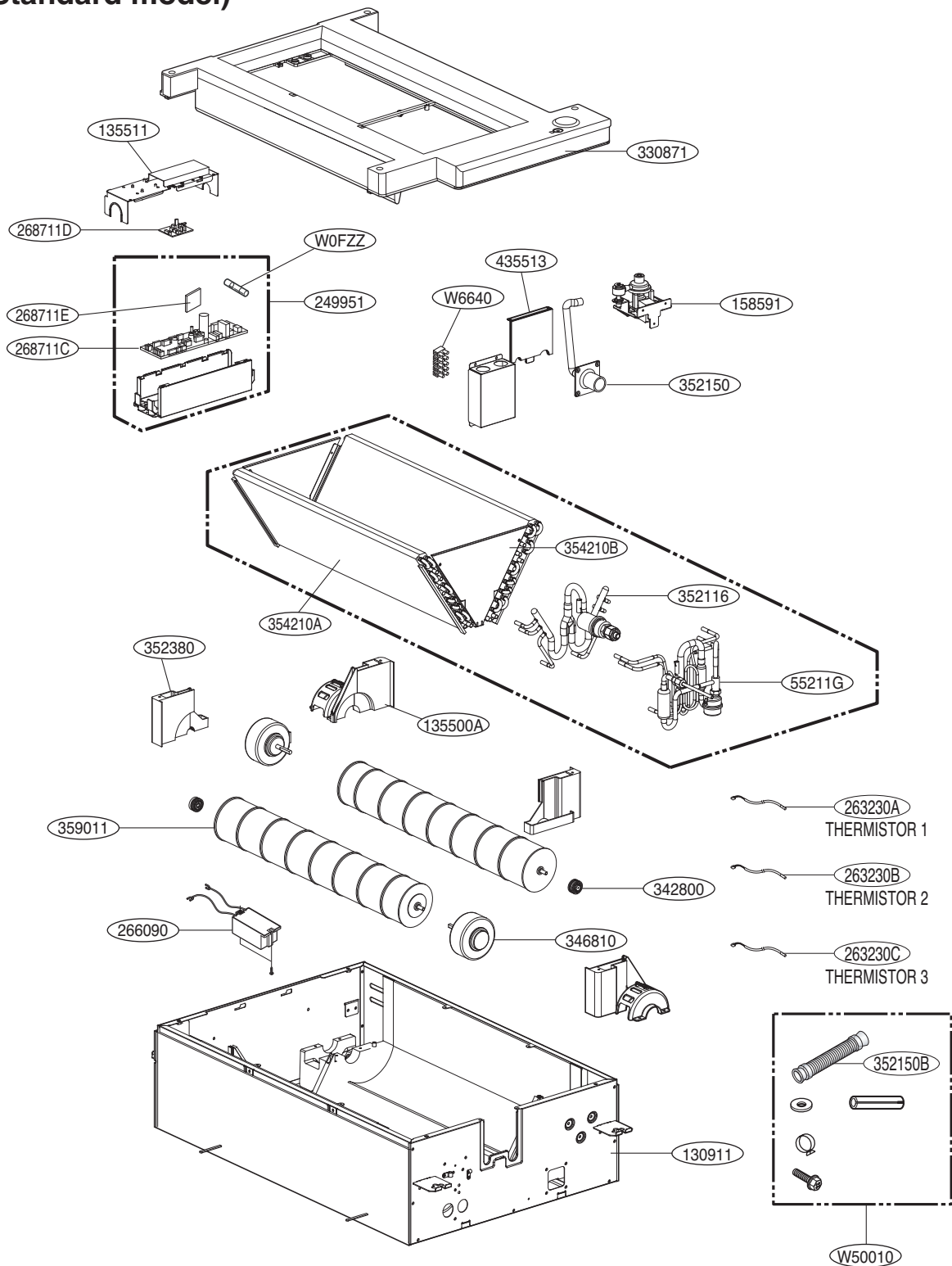
Outdoor Unit PCB



Outdoor Unit DIP Switch

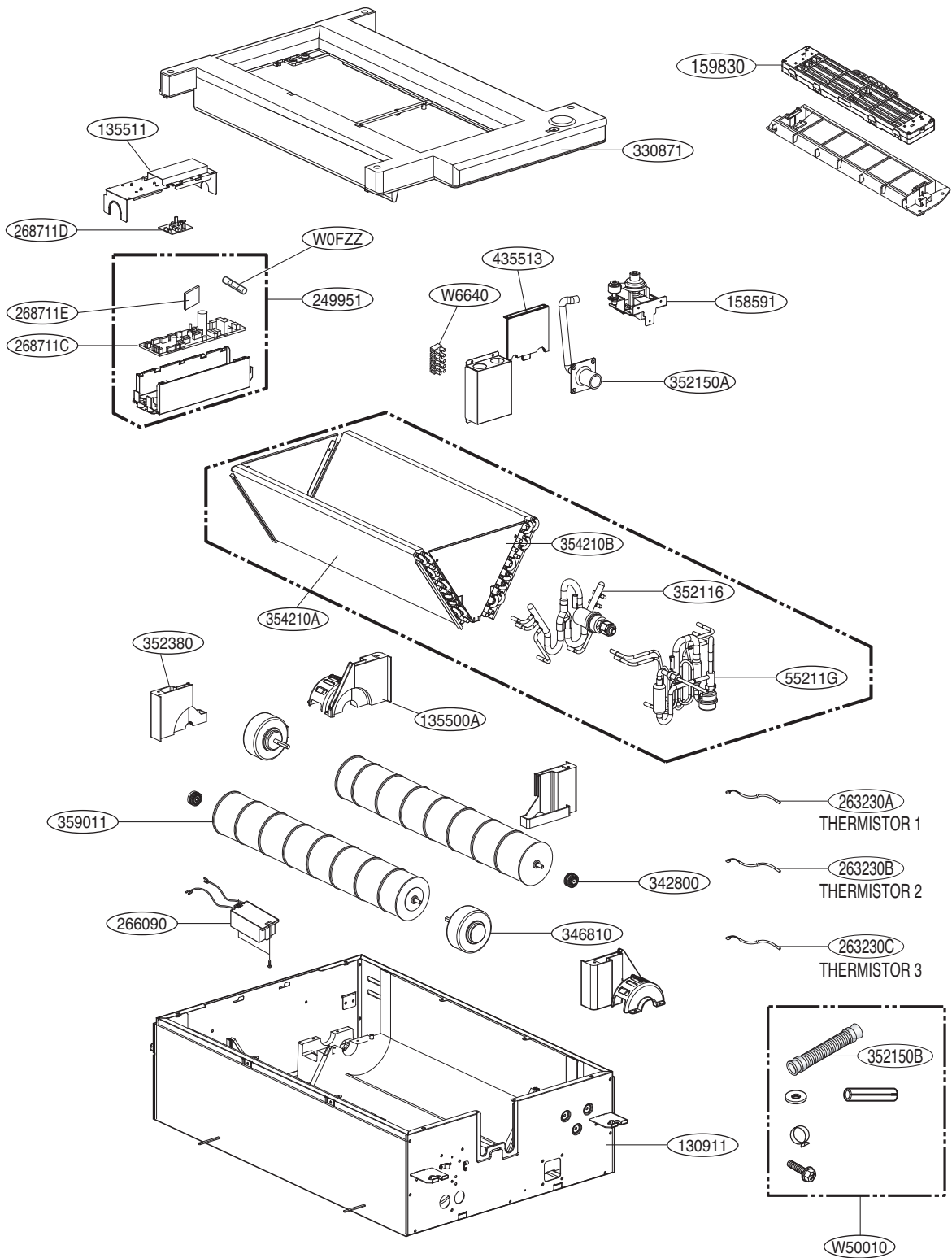
5. Exploded View

TL (Standard model)



LOC.	SVC No.	Description	PCB Connector (Color)
Th1	263230A	Thermistor for room air temperature	CN-ROOM (Yellow)
Th2	263230B	Thermistor for pipe in temperature	CN-PIPE_IN (White)
Th3	263230C	Thermistor for pipe out temperature	CN-PIPE_OUT (Red)

TL (Plasma model)



LOC.	SVC No.	Description	PCB Connector (Color)
Th1	263230A	Thermistor for room air temperature	CN-ROOM (Yellow)
Th2	263230B	Thermistor for pipe in temperature	CN-PIPE_IN (White)
Th3	263230C	Thermistor for pipe out temperature	CN-PIPE_OUT (Red)

7. Self-diagnosis function

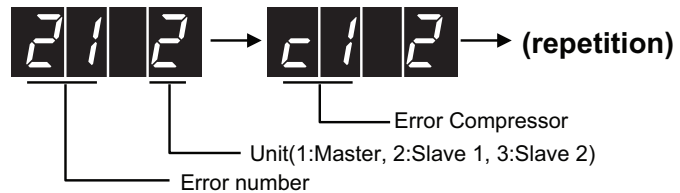
Error Indicator

- This function indicates types of failure in self-diagnosis and occurrence of failure for air condition.
- Error mark is displayed on display window of indoor units and wired remote controller, and 7-segment LED of outdoor unit control board as shown in the table.
- If more than two troubles occur simultaneously, lower number of error code is first displayed.
- After error occurrence, if error is released, error LED is also released simultaneously.

Error Display

- 1st,2nd,3rd LED of 7-segment indicates error number, 4th LED indicates unit number. Indicates unit number.
(* = 1:Master, 2 : Slave 1, 3 : Slave 2)

Ex) 211 : No.21 error of master unit
 213 : No.21 error of slave2
 1051 : No.105 error of master unit



※ Refer to the DX-Ventilation manual for DX-Ventilation error code

Display			Title	Cause of Error	
Indoor unit related error	0	1	-	Air temperature sensor of indoor unit	Air temperature sensor of indoor unit is open or short
	0	2	-	Inlet pipe temperature sensor of indoor unit	Inlet pipe temperature sensor of indoor unit is open or short
	0	3	-	Communication error : wired remote controller ↔ indoor unit	Failing to receive wired remote controller signal in indoor unit PCB
	0	4	-	Drain pump	Malfunction of drain pump
	0	5	-	Communication error : Indoor communication PCB ↔ indoor unit	Indoor Unit PCB did not receive signal from Indoor communication PCB for over 3 minutes continuously
	0	6	-	Outlet pipe temperature sensor of indoor unit	Outlet pipe temperature sensor of indoor unit is open or short
	0	9	-	Indoor EEPROM Error	In case when the serial number marked on EEPROM of Indoor unit is 0 or FFFFFF
	1	0	-	Poor fan motor operation	Disconnecting the fan motor connector / Failure of indoor fan motor lock
	2	3	0	Refrigerant leakage sensing error	Refrigerant leakage sensing error and sensor defect error
	2	3	7	Communication defect in indoor communication PCB ↔ outdoor communication PCB	Indoor communication PCB did not receive signal from outdoor communication PCB for over 3 minutes continuously
	2	3	8	Communication error in outdoor communication PCB ↔ outdoor unit	Outdoor communication PCB did not receive communication signal from outdoor unit for over 3 minutes continuously



P/NO : MFL68506005

NOVEMBER, 2014