



Internal Use Only

<http://biz.lgservice.com>

# Multi Air Conditioner

## SVC MANUAL(Exploded View)

MODEL : AMNH09GTUC0  
AMNH12GTUC0

### CAUTION

Before Servicing the unit, read the safety precautions in General SVC manual.  
Only for authorized service personnel.

# 1. Specification

Indoor unit type			1Way ceiling cassette (art type)	
Model			AMNW09GTUC0 [MT09AH NU1]	AMNW12GTUC0 [MT12AH NU1]
Power Supply	Ø / V / Hz		1/220~240/50	1/220~240/50
Cooling Capacity	kW		2.64	3.52
	Btu/h		9,000	12,000
Heating Capacity	kW		2.93	3.87
	Btu/h		10,000	13,200
Current	Nominal Running Current	A	0.2	0.2
Fan	Motor Type		BLDC	BLDC
	Fan Type		Cross Flow Fan	Cross Flow Fan
	Motor Output(W) x No. of Unit		20 x 1	20 x 1
	Air Flow Rate (H / M / L)	CMM	7.5/7.3/6.8	8.1/7.4/7.0
		CFM	265/258/240	286/261/247
	Capacitor	µF / Vac	-	-
Drive		Direct Drive	Direct Drive	
Coil	Row x Column x FPI		2R x 12C x 18	2R x 12C x 18
Dimensions (W x H x D)	Body	mm	860 x 132 x 450	860 x 132 x 450
		inch	33.8 x 5.2 x 17.7	33.8 x 5.2 x 17.7
	Front Panel	mm	1,100 x 34 x 500	1,100 x 34 x 500
		inch	43.3 x 1.3 x 19.7	43.3 x 1.3 x 19.7
Net Weight	Body	kg (lbs)	13.5(29.8)	13.5(29.8)
	Package	kg (lbs)	17.0(37.5)	17.0(37.5)
Sound Level (H / M / L)		dB(A) + 3	36/34/32	37/36/33
Piping Connections	Liquid	mm(inch)	6.35(1/4)	6.35(1/4)
	Gas	mm(inch)	9.52(3/8)	9.52(3/8)
	Drain(OD/ID)	mm	Φ32.0 / 25.0	Φ32.0 / 25.0
Safety Devices			Fuse, Thermal Protector for Fan Motor	
Temperature Sensor			Thermistor	Thermistor
Refrigerant			R410A	R410A
Refrigerant Control			EEV(in Outdoor unit or BD)	EEV(in Outdoor unit or BD)
Connectable Outdoor Unit			Multi F / FDX series	Multi F / FDX series
Power and Transmission Interunit Cable		No. x mm <sup>2</sup>	4 x 0.75(including earth)	4 x 0.75(including earth)

## Notes:-

- Capacities are based on the following conditions:
  - Cooling
    - Indoor temp. 27°C[80.6°F]DB/ 19°C[66.2°F]WB
    - Outdoor temp. 35°C[95°F]DB/ 24°C[75.2°F]WB
    - Interconnecting piping length 7.5m
    - Level difference of zero
  - Heating
    - Indoor temp. 20°C[68°F]DB/ 15°C[59°F]WB
    - Outdoor temp. 7°C[44.6°F]DB/ 6°C[42.8°F]WB
    - Interconnecting piping length 7.5m
    - Level difference of zero
- Capacities are net capacities
- Due to our policy of innovation some specifications may be changed without prior notification
- To be added for more available models
- EEV : Electronic expansion valve

## Conversion formula

kcal/h= kW x 860  
 Btu/h = kW x 3412  
 cfm = m<sup>3</sup>/min x 35.3  
 l/s = CMM x 1000/60

## 2. List of Functions

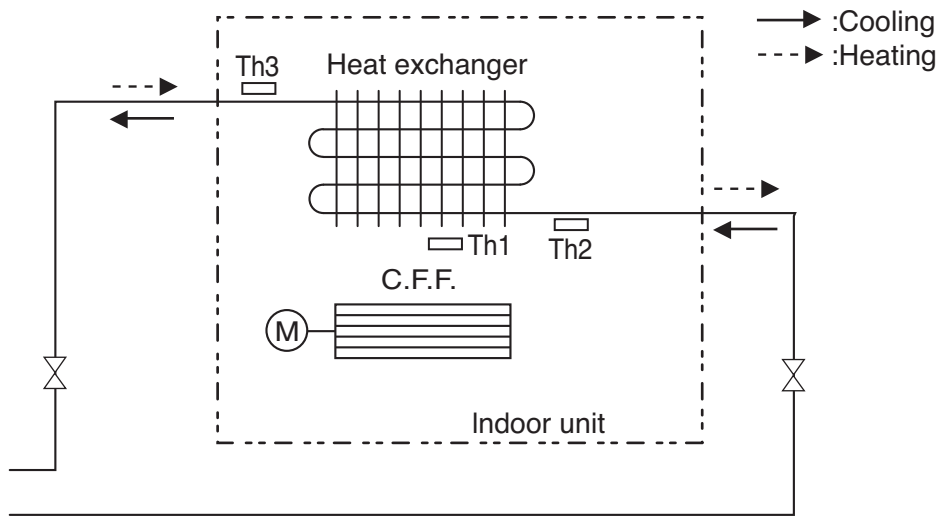
Category	Function	AMNH09GTUC0 AMNH12GTUC0
Air flow	Air supply outlet	1
	Airflow direction control(left & right)	Auto
	Airflow direction control(up & down)	Auto
	Auto swing(left & right)	○
	Auto swing(up & down)	○
	Airflow steps(fan/cool/heat)	4/5/4
	Auto Swing	○
	Chaos wind(Auto wind)	○
	Jet cool(Power wind)	○
	Swirl wind	-
Air purifying	Deodorizing filter	X
	Plasma air purifier	○
	Prefilter(washable / anti-fungus)	○
Installation	Drain pump	○
	E.S.P. control	○
	Electric heater(operation)	X
	High ceiling operation	○
Reliability	Hot start	○
	Self diagnosis	○
	Soft dry operation	○
Convenience	Auto changeover	X
	Auto cleaning	○
	Auto operation(artificial intelligence)	○
	Auto restart operation	○
	Child lock	○
	Forced operation	○
	Group control	○
	Sleep mode	○
	Timer(on/off)	○
	Timer(weekly)	○
Two thermistor control	○	
Individual control	Standard wired remote controller	PQRCVSL0/PQRCVSL0QW
	Wide wired remote controller	○
	Deluxe wired remote controller	PQRCUDS0
	Simple wired remote controller	PQRCUCS0C
	Wired remote controller(for hotel use)	PQRCFCS0C
	Wireless remote controller(simple)	-
	Wireless Ez remote controller	PQWRHDF0
	Wireless LCD remote control	-
CAC network function	General central controller (Non LGAP)	X
	Dry contact	PQDSB
	Dry contact(Temperature Setting)	PQDSBC
	Simple central control(LGAP)	○
	PDI(power distribution indicator)	PQNUD1S00
	PI 485	PMNFP14A0
Special function kit	Zone control	X
	CTIE	X
Others	Remote temperature sensor	-

○ : Applied      X : Not applied      - : No relation

Option : Model name & price are different according to options, and assembled in factory with main unit.

Accessory : Installed at field, ordered and purchased separately by the corresponding model name, supplied with separate package.

### 3. Piping Diagrams



■ Refrigerant pipe connection port diameter

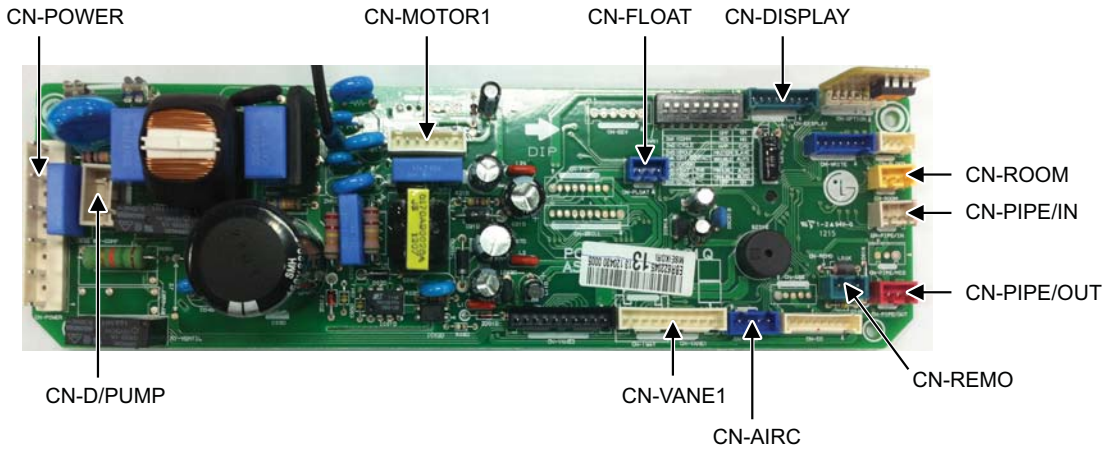
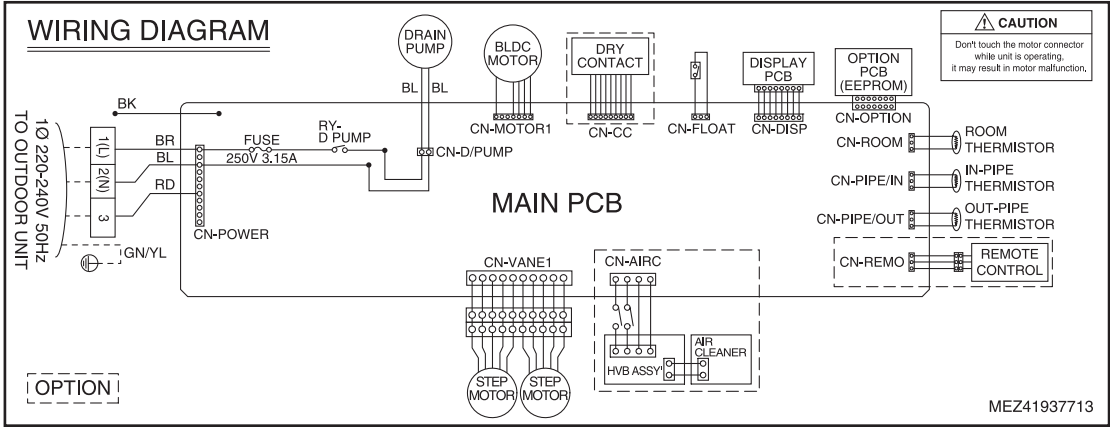
[Unit: mm(inch)]

Model	Gas	Liquid
AMNH09GTUC0	Ø9.52(3/8)	Ø6.35(1/4)
AMNH12GTUC0	Ø9.52(3/8)	Ø6.35(1/4)

LOC.	Description
Th1	Room thermistor
Th2	Pipe in thermistor
Th3	Pipe out thermistor

# 4. Wiring Diagrams

Model: AMNH\*\*GTUC0



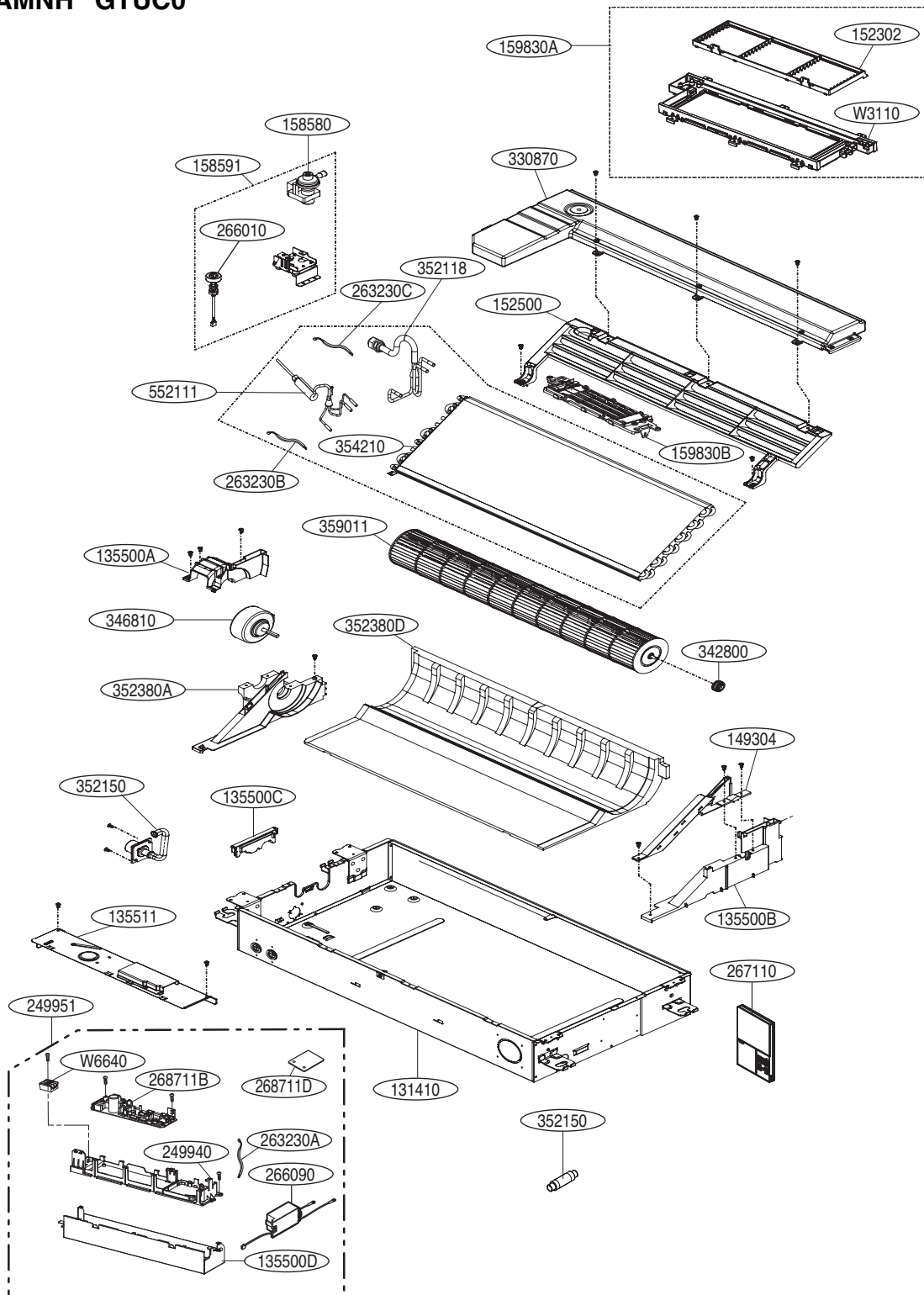
Dip switch setting		Off	On	Remarks
SW3	Group	Master	Slave	Group control setting using wired remote controller
SW4	Dry contact	Variable	Auto	Dry contact mode setting 1. Variable : Auto/manual mode can be chosen by wide wired remote controller or wireless remote controller (when shipped from factory → manual mode) 2. Auto : For dry contact, it is always auto mode.
SW5	Extra 1	Off	On	1. Duct model - Off : Default(not operate continuously) - On : Fan operate continuously 2. Cassette model : No function 3. Ceiling suspended model - Off : Ceiling(default) - On : Floor

**CAUTION**

For Multi model, dip switch 1,2,6,7,8 must be set off. Those dip switches are used for other models.

# 5. Exploded View

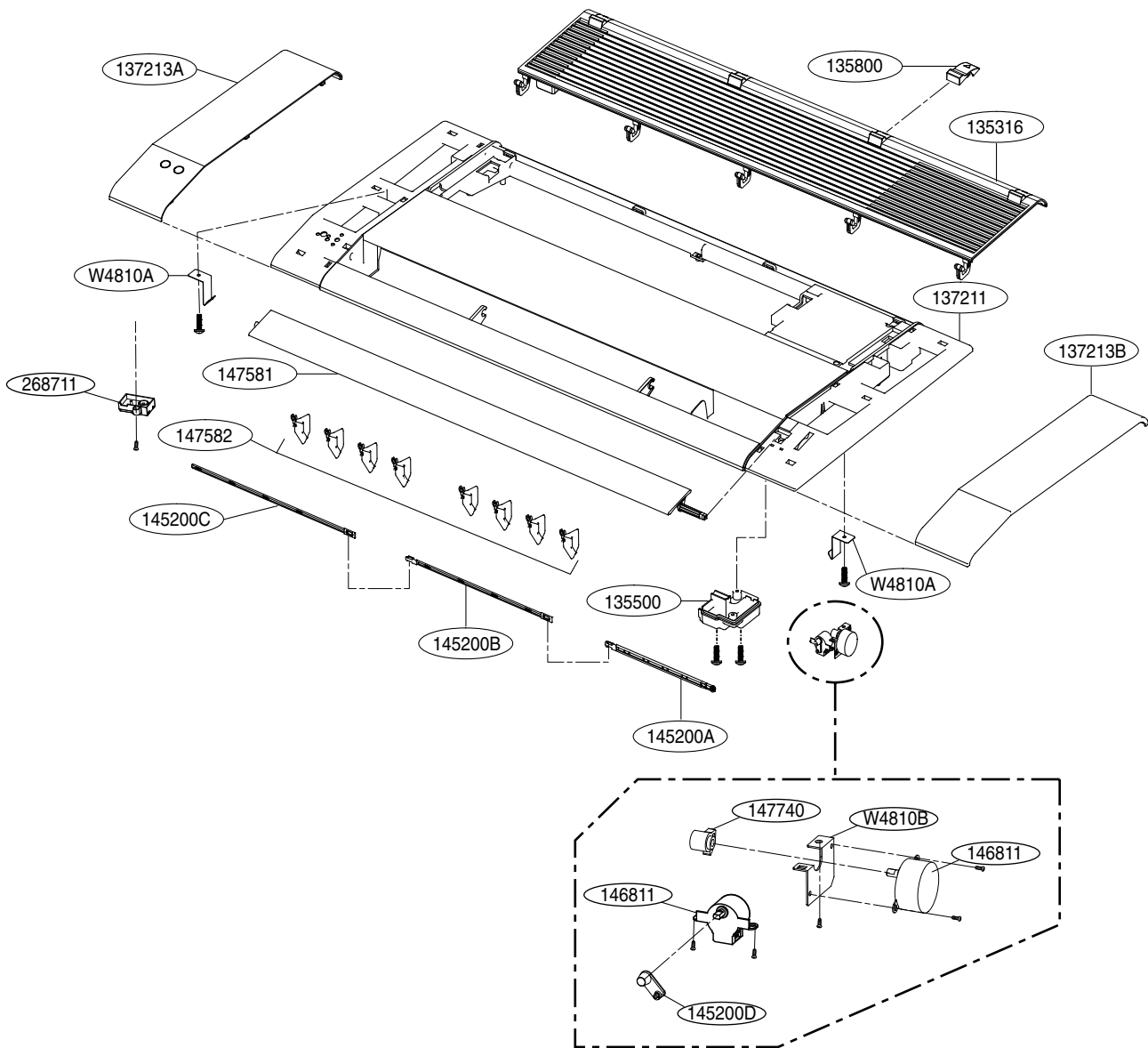
Model: AMNH\*\*GTUC0



Location No.	Description	Sensor Information	Housing color
263230A	Thermistor 1	Air	Yellow
263230B	Thermistor 2	Pipe in	White
263230C	Thermistor 3	Pipe Out	Red

## 5. Exploded View

TU chassis : Front panel (grille type) : PT-UUC1





P/NO : MFL67568601

MAY, 2012